

# Chesterton Connect™

*Intrinsically Safe Certified*

## Simplified equipment and process monitoring for pumps and sealing systems

Chesterton Connect is a simple to use data acquisition tool that enables you to safely and conveniently monitor your process and equipment's operating conditions. Utilizing Bluetooth® technology and a robust design to withstand harsh environments, Chesterton Connect makes it easy to monitor:

- Equipment vibration
- Process temperature
- Surface temperature
- Process pressure

Easy to install, Chesterton Connect combined with the user-friendly app allows you to connect to multiple sensors providing you with a comprehensive view of your plant's equipment health.

By setting thresholds, the mobile app and in-unit's LED display system alerts you of undesirable events. This alert system helps you better allocate resources to avoid unplanned downtime and asset failure.

The data can be exported for analysis to help you understand your equipment's operation and take preventative actions to extend productivity.

### Applications

For use on pumps, mixers, agitators, and many other types of rotating equipment.



## Chesterton Connect™

### Advantages

- Easy to install and configure
- Early detection of process instabilities
- Prioritize equipment maintenance
- Securely access your data
- View multiple sensors in one mobile app
- Replaceable battery



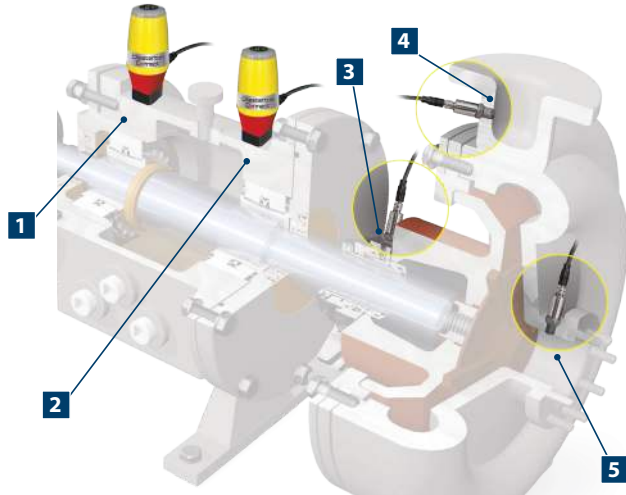
## Recommended Installation Locations

### Surface Vibration and Temperature

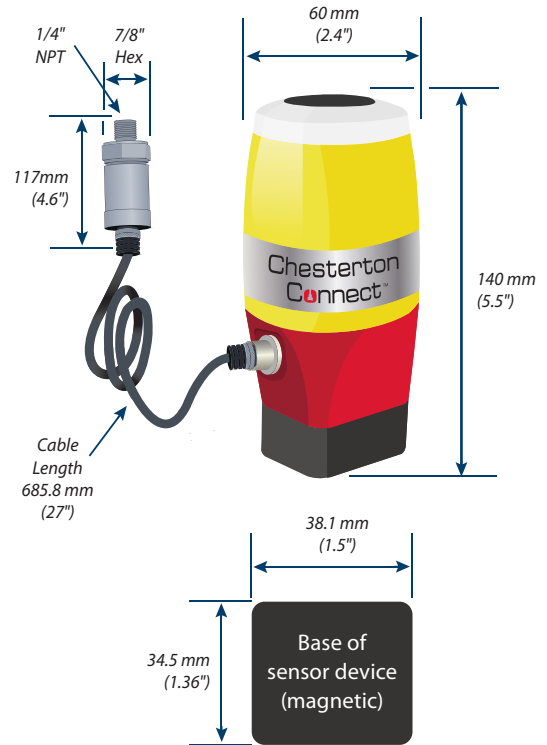
- 1 Inboard Bearing
- 2 Outboard Bearing

### Process Pressure and Temperature

- 3 Seal and Seal Chamber
- 4 Discharge
- 5 Suction



## Dimensions



## HARDWARE TECHNICAL SPECIFICATIONS

### Operating Parameters

Pressure sensor limit	-1bar g – 68 bar g (-14.7 psig – 1000 psig)
Temperature limit (body)	-20°C – 85°C (-4°F – 185°F)
Temperature limit (sensor)	-20°C – 125°C (-4°F – 257°F)
Vibration sensor	3-axis accelerometer ±16g
Battery	3.6V lithium thionyl chloride battery (replaceable)
Fitting	1/4" NPT 316SS connection
Mount	Magnetic mounting base (additional mounting options sold separately)
Certifications	FCC, IC, RoHS, IP66, NSF61, ACS, CE

### Software Features

Security	Encrypted setup and password protected operation
Personalization	Configurable name and usage information
Data acquisition	Monitoring mode for extended battery life (5-minute intervals) and high accuracy mode for troubleshooting (1-minute intervals)
Data storage	Up to 30 days of rolling history
Alerts	Configurable thresholds, alerts
Analytics	Time plotted trends and analysis
Data export	Email export of sensor data and alarms

Product Ordering Number: 403699 (Product does not include mobile device)

WARNING – Clean only with a damp cloth and replace battery only with Tekcell SB-D02 in a non-hazardous area.

ATTENTION – Nettoyer uniquement avec un chiffon humide et remplacer la batterie uniquement avec une batterie Tekcell SB-D02 dans une zone non dangereuse.

## Hazardous Ratings

ATEX/IECEx	⊕ II 1 G Ex ia IIB T4 Ga ⊕ II 1 D Ex ia IIIB T <sub>200</sub> 166°C Da
Zone	Class I Zone 0 AEx ia IIB T4 Ga Zone 20 AEx ia IIIB T166°C Da
Division	Class I Div 1 Groups C D T4 Class II Div 1 Groups F G T4
Rated Temp	-20°C ≤ Ta ≤ +85°C

Chesterton ISO certificates available on [chesterton.com/corporate/iso](http://chesterton.com/corporate/iso)

Chesterton Connect™ is a trademark of A.W. Chesterton Company. The Bluetooth® word mark and logos are registered trademarks owned by Bluetooth SIG, Inc. and any use of such marks by A.W. Chesterton is under license. Apple, the Apple logo is a trademark of Apple Inc., registered in the U.S. and other countries. App Store is a service mark of Apple Inc. Google Play, the "Android" name, the Android logo, the "Google play" brand, and other Google trademarks, are property of Google LLC.

Technical data reflects results of laboratory tests and is intended to indicate general characteristics only. A.W. Chesterton Company disclaims all warranties express or implied, including warranties of merchantability and fitness for a particular purpose. Liability, if any, is limited to product replacement only. Any images contained herein are for general illustrative or aesthetic purposes only and are not intended to convey any instructional, safety, handling or usage information or advice respecting any product or equipment. Please refer to relevant Safety Data Sheets, Product Data Sheets, and/or Product Labels for safe use, storage, handling, and disposal of products, or consult with your local Chesterton sales representative.

© 2021 A.W. Chesterton Company  
 Registered trademark owned by A.W. Chesterton Company  
 in USA and other countries, unless otherwise noted.

Distributed by: