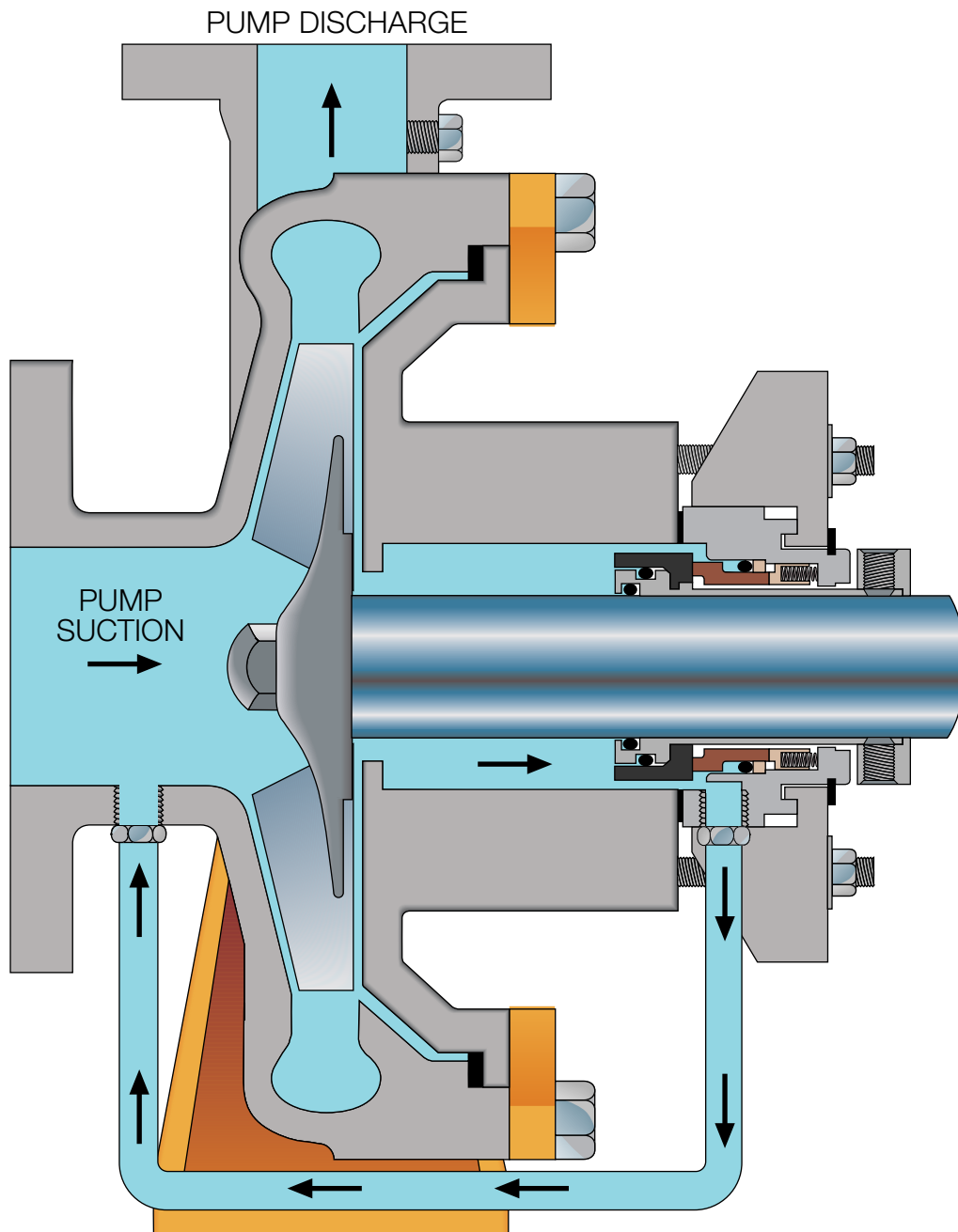


Suction Recirculation



- Use with a single seal
- Prevents solids hang-up
- Lowers seal chamber pressure
- Cools seal
- Reduces seal generated heat
- Use caution with low vapor liquids
- Stuffing box lantern ring connection can also be used